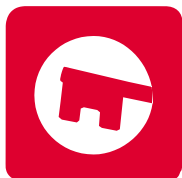
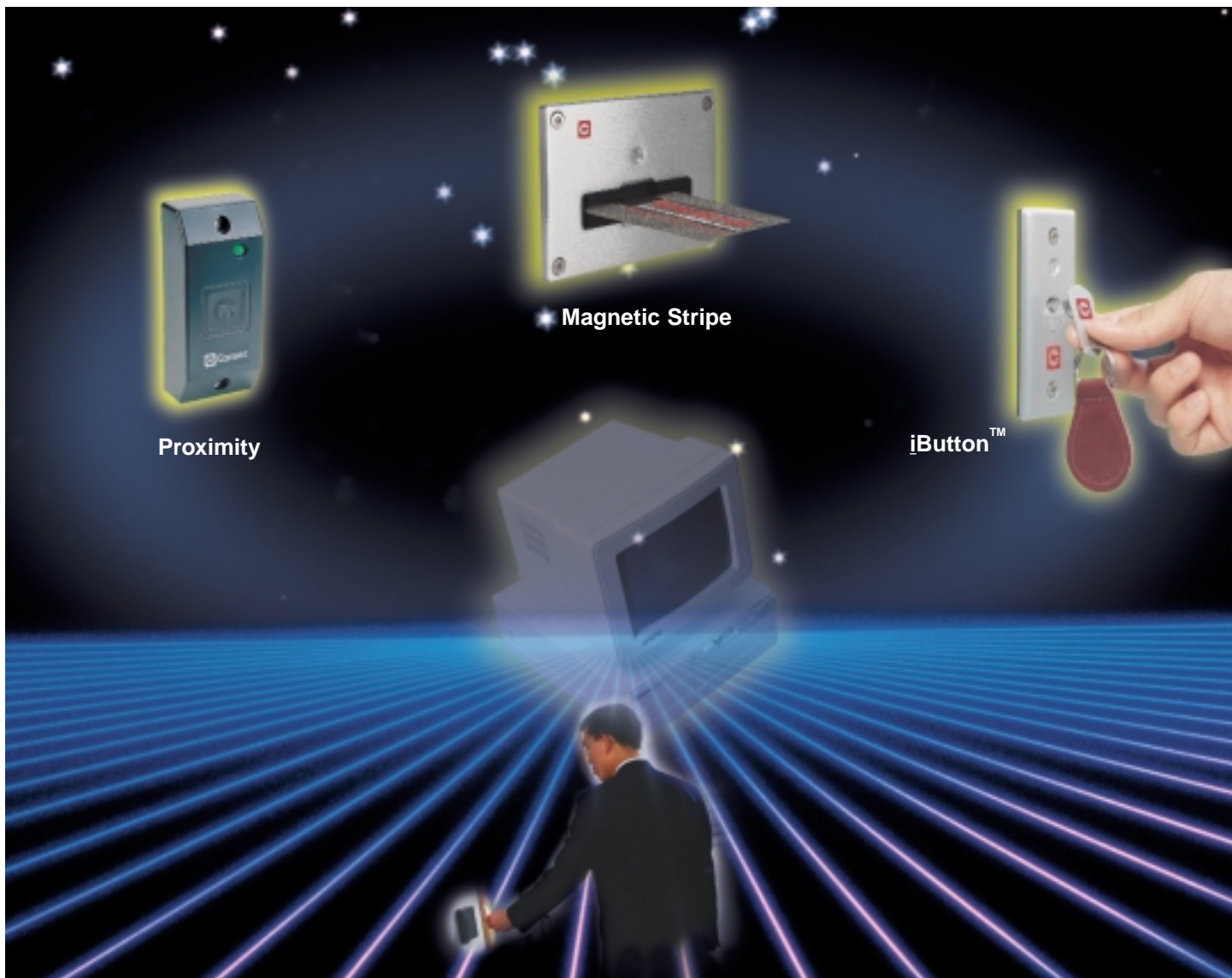




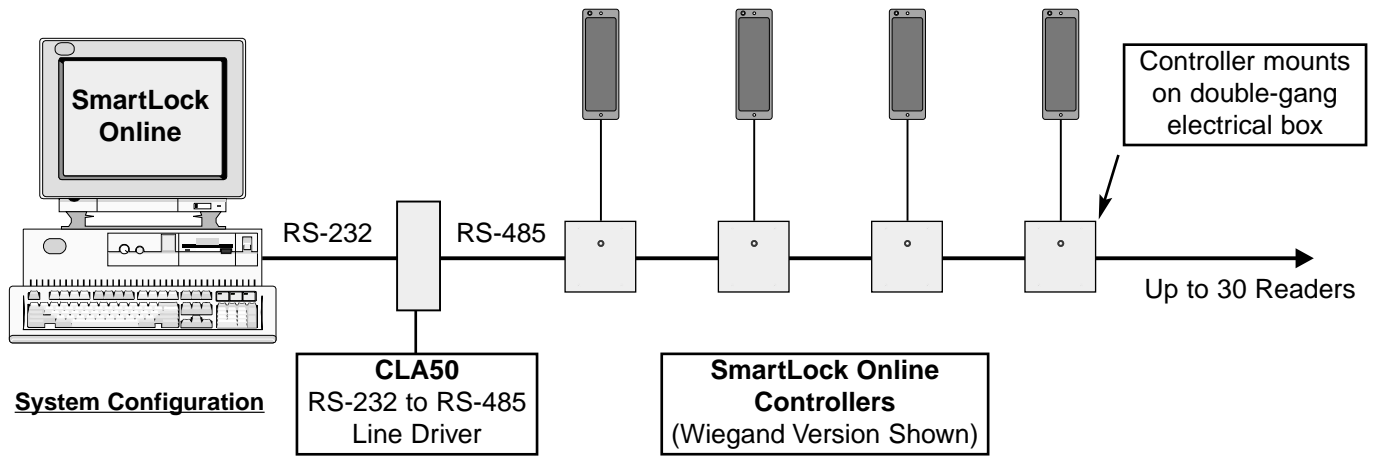
SmartLock Online

ACCESS CONTROL SYSTEM



FEATURES

- Simple to Install and Operate
- Unlimited Number of Sites
- Up to 30 Card Readers per Site
- Up to 4800 Cardholders per Site
- Software for Windows® 95/98/NT/2000
- Remote Site Dial-Up
- Timed Anti-Passback (1-255 Minutes)
- Handicap Door Operator Output
- Automatic Door Unlock Schedules
- iButton™, Magnetic Stripe, Proximity Versions



SmartLock Online is a cost-effective access control system consisting of single door controllers and simple, easy to use Windows-based data management software designed with all the basic functionality required for most installations. The system is capable of controlling up to 30 doors and 4800 cardholders per site with an unlimited number of remote sites.

SmartLock Online units are available as complete magstripe or **iButton™** packages which include the controller and reader. A Wiegand compatible controller is also available which supports most industry standard Wiegand and Proximity readers. Each **SmartLock Online** controller is equipped with outputs to power an Electric Lock as well as control a Power Door Operator. Inputs are provided for a Request-to-Exit Button, a Handicap Access Button and a Door Contact. When the Door Contact Input is connected, the reader will automatically relock the door once it re-closes. In addition, an audible alert can be generated if the door is held open longer than a specified time.

Voiding and validating cards is accomplished easily using the **SmartLock Online Data Management Software**. The administrator sets up the cardholder database on the PC utilizing seven programmable access schedules. Within each cardholder record, the administrator simply links an Access Schedule to a corresponding door. The software also provides the ability to

program/deny access during any of the 60 programmable Holidays. An "Unlock Privilege" may also be granted to cardholders on an individual reader basis. This powerful feature allows selected cardholders to maintain doors in an unlocked state by using their card twice in succession. To relock the door, any cardholder with "Unlock Privilege" simply uses their card twice again. After any programming changes are made, the operator simply performs a download to the selected controllers for the changes to take effect. The software also provides the ability to issue Unlock, Relock, and Temporary Unlock commands to one reader or multiple readers simultaneously.

SmartLock Online also supports a Timed Anti-Passback feature. Each controller can be programmed with a time interval from 1 to 255 minutes which will deny access to cards which are used more than once during the programmed period. This deters cardholders from "passing back" their card, particularly in parking applications.

In addition, up to 1000 Audit transactions may be uploaded from each **SmartLock Online** controller complete with time and date stamp, cardholder name and ID, and location. Audit transactions are sorted automatically by time and date once uploaded from the controllers. Once the system audit reaches the defined maximum size, it may be saved to a file for viewing at a later date.

Specifications

SmartLock Online Software

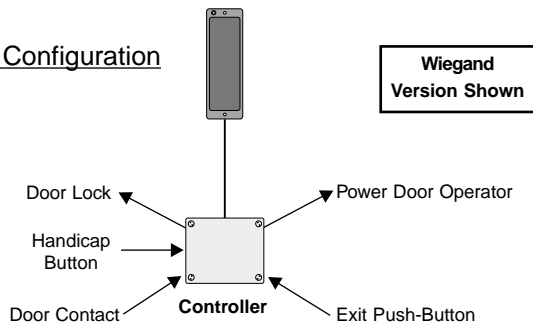
Operating System:	Windows™ 95/98/NT/2000
Controller Capacity:	30 single reader controllers
Cardholder Capacity:	4800
Access Schedules:	7 User Programmable
Timed Anti-Passback:	1 to 255 minutes
Holidays:	60
Commands:	Unlock, Momentary Unlock, Upload, Download

Specifications

SmartLock Online Controller

Reader Type:	Mag-stripe / iButton™ / Wiegand output
Warranty:	one year (Cansec manufactured parts)
Card/Key Warranty:	
Mag-stripe	* lifetime, normal wear
iButton™	* lifetime, normal wear
Wiegand	varies by manufacturer
Communications:	RS-485, single pair, stranded, twisted overall shield, 18-20 AWG, 2000 ft. max.
Lock Output:	
Mag-stripe/ iButton™	open collector, 12VDC @ 250 mA supplied
Proximity	* some readers may require 12 VDC supply
Door Operator Output:	dry contact, NO, 250 mA @ 24VDC
Handicap Button Input:	normally open, momentary closure
Exit Button Input:	normally open, momentary closure
Door Contact Input:	normally closed
Bi-Color LED:	standard
Beeper:	standard
Operating Temp:	-40°C to 70°C (-40°F to 158°F)
Environment:	Indoor/Outdoor
Supply Voltage:	12 to 16.5 VAC, 20VA or 12VDC, 1A (depends on lock and readers used)

Controller Configuration



3105 Unity Drive, Unit #9
 Mississauga, Ontario,
 Canada, L5L 4L2
 Tel: (905) 820-2404
 Fax: (905) 820-0301
<http://www.cansec.com>

Distributed by: